

SEPARA Toggler 120

Instructions for use

Multi Vial Compressor Product Information sheet



Warning

For research use only.
Not recommended or intended for diagnosis of disease in humans or animals.

Safety Warning

- ◆ Do not put the hand between piston and plastic tray;
- ◆ Do not overfill the plastic external vial
- ◆ Do not use the Multi Vial Compressor for assemble glass vials or product with different shape and dimension from that provide by GVS Filter Technology

*See <https://www.gvs.com/en/catalog/separa-filter-vials> for further product details.

In case of sample spillage within the SeparaToggler120 during compression, user to follow the own standard operating procedures to dispose of spills samples and contaminated parts.

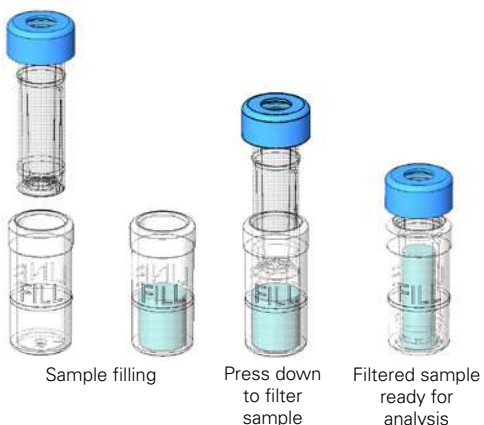
The Multi Vial Compressor is a maintenance free unit without replacement part.





The Vial Holder Plate is a maintenance free unit without replacement part.



Instructions for Use

Before starting, select the Separa Filter Vial compatible with your sample.



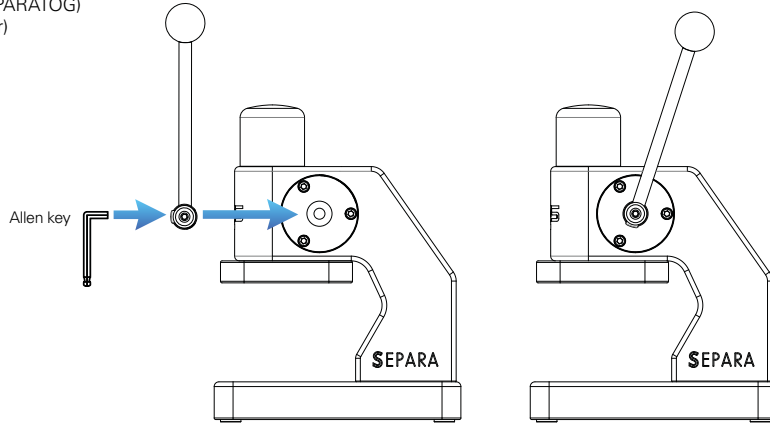
Membrane Material	Pore Size (µm)	Color	Product Code
			100/pk
Polytetrafluoroethylene (PTFE)	0.20	 Pink	MV32ANPPT002TC01
Polytetrafluoroethylene (PTFE)	0.45	 Red	MV32ANPPT004CC01
Regenerated Cellulose (RC)	0.20	 Gray	MV32ANPRC002GC01
Regenerated Cellulose (RC)	0.45	 Black	MV32ANPRC004LC01
Nylon 66 (NY)	0.20	 Light Blue	MV32ANPNY002BC01
Nylon 66 (NY)	0.45	 Blue	MV32ANPNY004UC01
Polyvinylidene Fluoride (PVDF)	0.20	 Yellow	MV32ANPPV002FC01
Polyvinylidene Fluoride (PVDF)	0.45	 Orange	MV32ANPPV004IC01
Polyethersulfone (PES)	0.20	 Light Green	MV32ANPPS002EC01
Polyethersulfone (PES)	0.45	 Dark Green	MV32ANPPS004WC01

Box Content:

Nr 1 Multi Vial Compressor (SEPARATOGGLER120)
Nr 1 Vial Holder Plate (PIASTRASEPARATOG)
Nr 1 Allen key (for assembling lever)
Nr 1 Instructions for Use

Lever Assembly Instructions

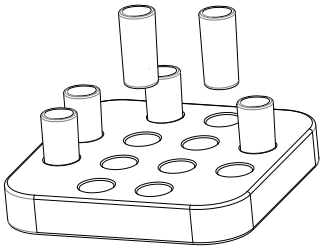
Screw the lever using the included Allen key.



How to use Multi Vial Compressor

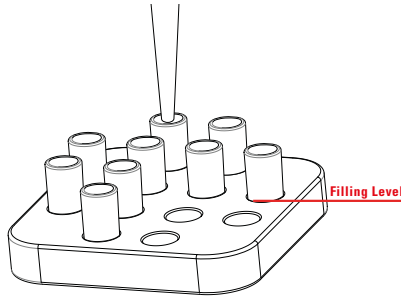
Step 1

Load up to 12 external vials in Vial Holder Plate.



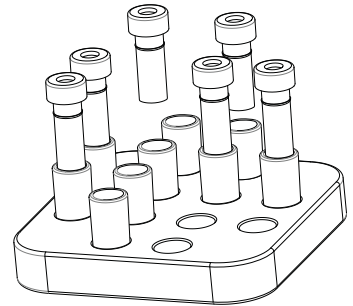
Step 2

Dispense the sample into the external vial taking care not to overfill. The max volume fill level is clearly marked on the external vial. SEPARA has a capacity of 480 microliter.



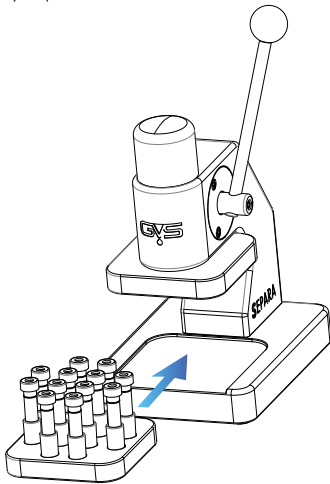
Step 3

After the selecting the compatible SEPARA filtration membrane for your samples (or solvents), insert the plunger.



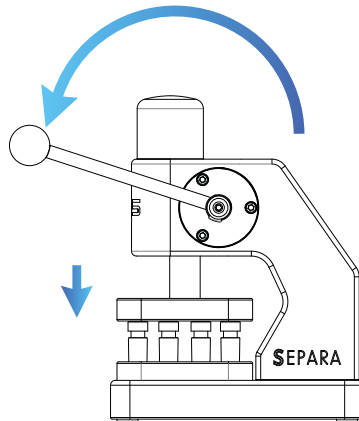
Step 4

Place the plate into position on the Multi Compressor Vial using the guide ribs for placement. Ensure tray is securely in place.



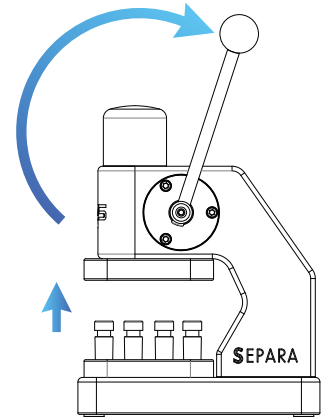
Step 5

Turn the lever as shown, press slowly and gently until the end of the stroke.



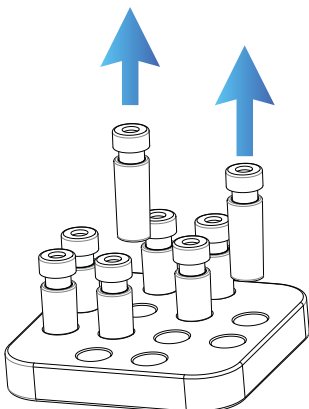
Step 6

Release the lever back to original position enabling the plate to be removed.



Step 7

Remove Separa Filter Vials.



Security Specifications:

Weight 3.5 Kg (7.72 lbs).
Beware of crush related injuries.
Do not place among table borders.

Cleaning Instructions:

Multi Vial Compressor and Plate can be cleaned with Ethanol 90%. Multi Vial Compressor and Plate can also go in autoclave at 121°C for 15 minutes.